

# DTF-S3002 DIRECT TO FILM PRINTER



## DESCRIPTION:

Direct to Film Printing Machine with Powder Shaking integrates vinyl powder coating and drying into one machine. When the film/vinyl is dried out, it can be used to transfer print onto the garment.

## FEATURES:

- ✓ No Engraving And No Waste Discharge
- ✓ Advanced White Ink Circulation System
- ✓ Vacuum Suction Conveyor Belt
- ✓ Ink Low Alarm



## WHAT IS YOUR TEXTILE APPLICATION?

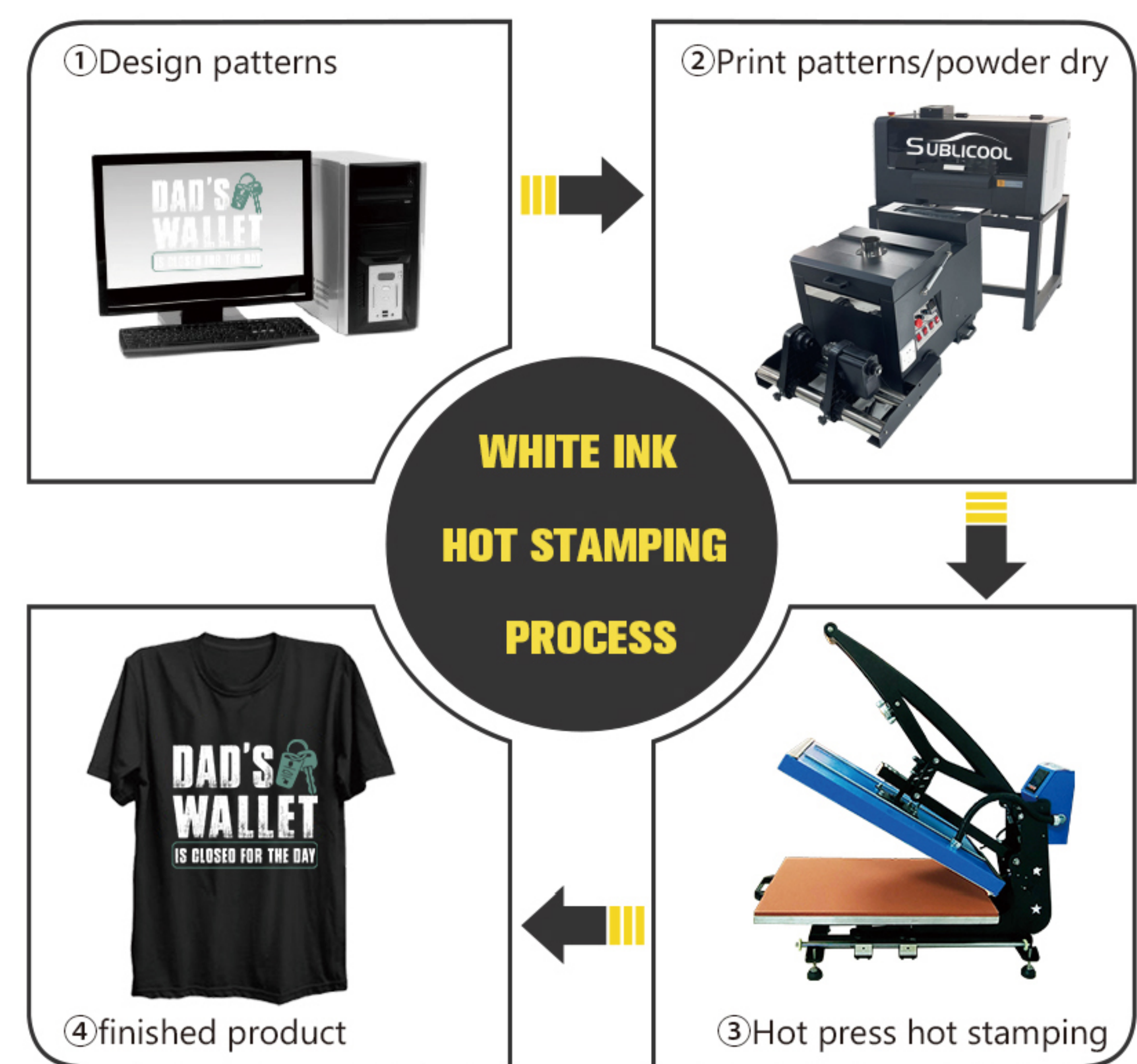
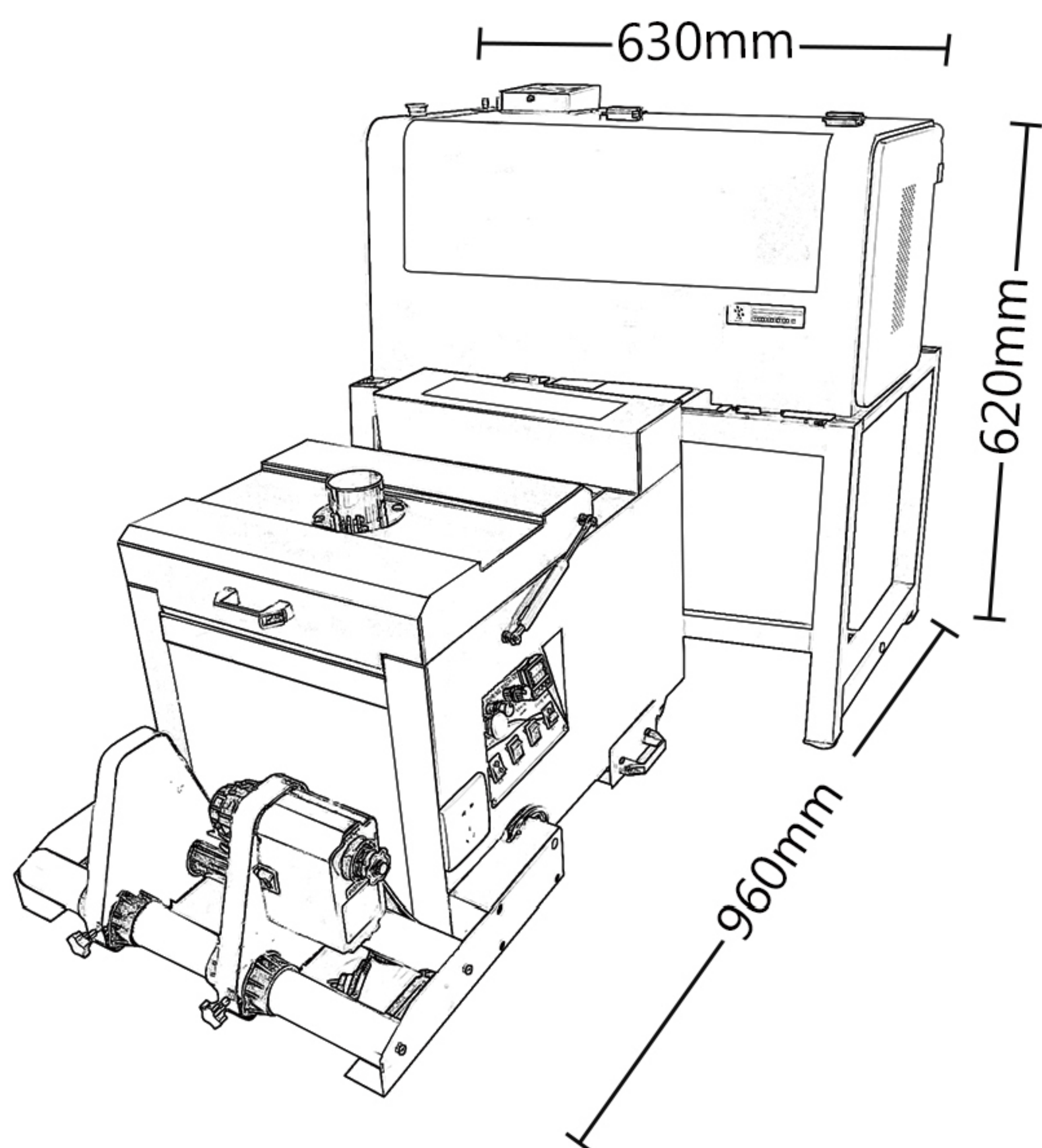
### TYPICAL INDUSTRIES

- ✓ Fashion panels
- ✓ Soft furnishings
- ✓ Promotion
- ✓ Hi Vis workwear
- ✓ Sportswear
- ✓ Team wear
- ✓ Handicrafts
- ✓ Fashion strike off
- ✓ Internet sales
- ✓ Sports Apparel
- ✓ Corporate wear
- ✓ Fabric signage
- ✓ Home furnishings
- ✓ Textile displays
- ✓ Jeans
- ✓ Advertising materials
- ✓ Bedding
- ✓ Baby clothes
- ✓ Sleepwear
- ✓ Sampling
- ... and many more



# MACHINE PARAMETER

Product Name	A3 Dusting And Drying All-in-one Machine
Printer Model	DTF-S3002
Printhead	EPSON WF-4720/i3200/XP600
Number Of Print Head	1/2
Print Speed	EPS4720: 4Pass: 10m <sup>2</sup> /h 、 6Pass:6m <sup>2</sup> /h 、 8Pass:4m <sup>2</sup> /h i3200: 4Pass: 10m <sup>2</sup> /h 、 6Pass:6m <sup>2</sup> /h 、 8Pass:4m <sup>2</sup> /h XP600: 6Pass: 4.5m <sup>2</sup> /h 、 8Pass:3.5m <sup>2</sup> /h 、
Printing Accuracy	360*2400dpi、 360*3600dpi、 720*2400dpi (6Pass、 8Pass)
Ink Type And Configuration	Textile Pigment Ink (C/M/Y/K/W)
Maximum Printing Width	A3/330mm
Printer Size	900(L)*480(W)*510(H)mm
Outer Packing Size	960(L)*630(W)*620(H)mm
Weight	60kg
Working Power Supply	220V/110V 50HZ/60HZ
Power	Printer: 350w Powder Dyer: 2400W



# CONSUMABLES



DTF Textile Inks



DTF Hot Melt Powder



DTF PET Films